

BMP-1

Blank Module Plate

General

The BMP-1 Blank Module Plate covers unused module positions in an annunciator back box or in a FACP model PTW-3300 dress panel such as ADP-4B or DP-DISP. The BMP-1 may also mount an option module, such as an NCM-W or NCM-F. It includes four stand-offs which allows option modules to mount behind the blank front, on the inside of the cabinet.

Note: This dress plate is suitable for modules that do not need to be visible or accessible when the door is closed.

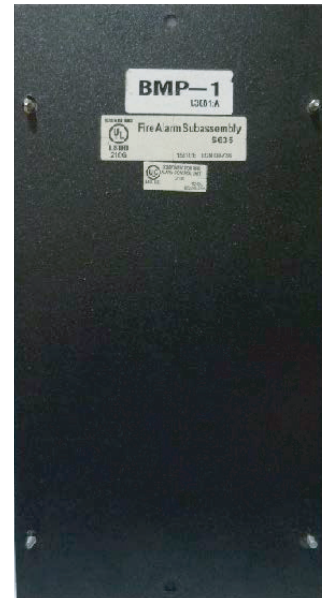
Compatible dress panels and back boxes includes :

Surface-mount back boxes : ABS-1B, ABS-2B, ABS-4D, ABS-1TB

Flush-mount back boxes : ABF-1B, ABF-2B, ABF-4B

Semi-mount-flush back boxes : ABF-1DB, ABF-2DB

Hinged dress panels : ADP-4B, DP-DISP



BMP-1 Blank Module Plate

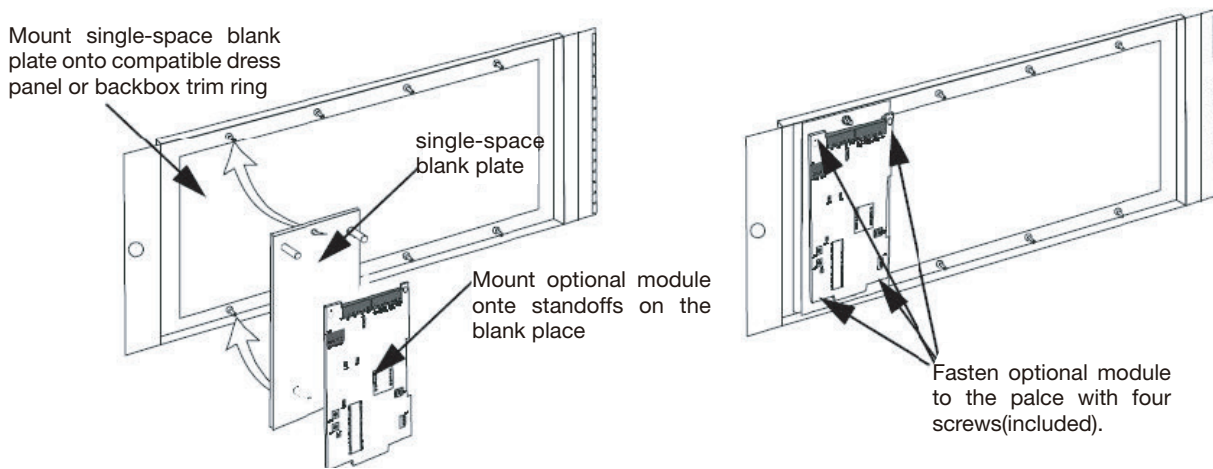


Figure 1 Mounting a Single-space Blank Plate onto the Dress Panel with Optional Module

Installation

Slide the dress plate's two mounting holes over the back box screws above and below the slots to be covered. Attach the dress plate with the hex nuts provided.