

M600AS

Intelligent Audible and Visual Alarm for Fire Alert

Description

M600AS intelligent audible and visual alarm for fire alert is applicable for indoor type (non-residential use) alarm module, this module meets the requirements of the standard GB26851-2011. The alarm A/V module is mainly used in fire alarm system.

The M600AS alarm A/V can be used in two-wire bus or four-wire bus systems. The alarm adopts non-polarity wiring design, which is convenient for on-site wiring installation. The alarm A/V can perform sound and light action or reset according to the command sent by the controller. The status of the external power supply input may be feed back to the controller to monitor the external power supply condition.

When the alarm is activated, audible sound and flashing light signals can be notify to alert and warn the site personnel.



Specifications

Rated Voltage: DC24V.

Standby Current: 370µA@DC24V.

Alarm Current: 1mA@DC24V.

External Supply Voltage: DC24V.

Standby Current: 320µA@DC24V.

Alarm Current: 6mA@DC24V.

Flash Rate: 1 ~ 2Hz.

Sound Pressure Level: 75dB~120dB.

Operating Temperature: -10°C ~ 55°C.

Operating Humidity: 5% ~ 95%RH Non-condensing.

Dimension: 90mm×86mm×40mm (Including base).

Weight: 70g.

Software Version: A.

Addressing

M600AS is an intelligent addressable A/V module, each module in the loop must be uniquely addressed, its address is set by address coder/decoder handhold programmer CP600M, address range: 1~230. Please refer to the CP600M instructions for specific operations.

Terminal Description

M600AS intelligent audible and visual alarm for fire alert is used with A600 terminal base for M600AS, and its wiring terminals are defined as follows:

1	No	3	No	5	Communication	7	Power
2	No	4	No	6	Communication	8	Power

Power Supply and Wiring

Power supply instruction

The design of the system is determined by calculated number of modules allowed in the loop according to the load capacity of the controller or power supply, ensuring that the sum of the current consumed by all devices in the loop does not exceed the load capacity of the controller or power supply. In the loop calculation, it is necessary to consider the voltage drop caused by the resistance of the line.

Resistance of general wiring sizes

1.0 mm² 19.5Ω/1000m

1.5 mm² 13.3Ω/1000m

2.5 mm² 7.98Ω/1000m

For example, if there are 10 devices in a certain area and each device needs 10mA, connect them with 1.5mm² lines of 2000m (total line length = line length in operation + line length returned), and the current at the end of the line is 10mA, then: Number of devices x terminal current x (total length of lines x wire resistivity) = voltage drop, 10 x 10 mA x (2000m x 13.3 ohms /1000m) ≈ 2.7V

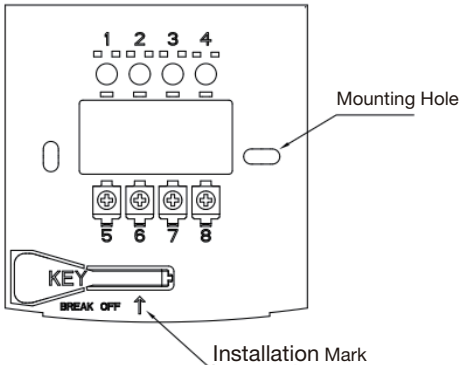


Figure 1: A600 Terminal Base for M600AS



Wiring

There are two wiring modes for the M600AS alarm A/V. You can select the corresponding wiring mode according to the wiring installation on site.

Two bus wiring diagram (Figure 2).

Four bus wiring diagram (Figure 3).

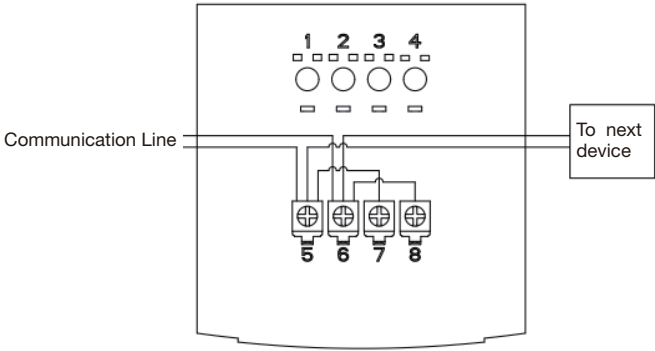


Figure 2: Two bus Wiring Diagram

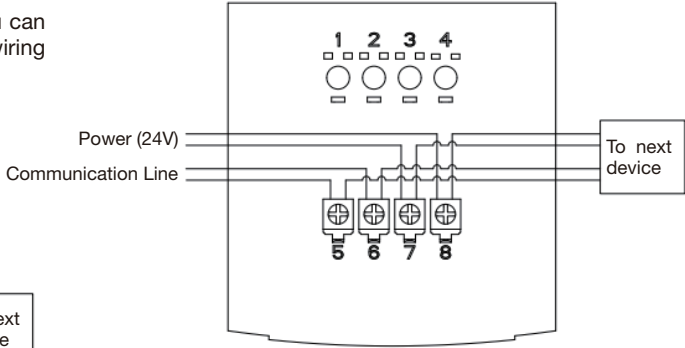


Figure 3: Four bus Wiring Diagram

Mounting

Install the A600 base at the predetermined installation position according to the direction indicated by the installation mark (Figure 1) on the A600 terminal base for M600AS.

Select the corresponding wiring diagram (Figure 2, Figure 3) for wiring.

The alarm is addressed using the address coder/decoder handheld programmer CP600M.

Align the hook on the alarm with that on the A600 base, press into the mounting base (Figure 4), and the installation is complete.

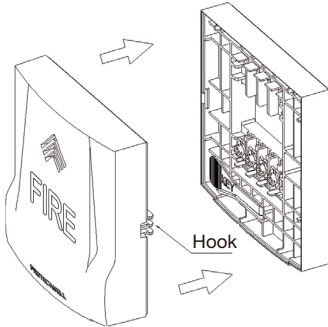


Figure 4: Mounting

Remove

As shown in Figure 5, insert the straight screwdriver into the removal hole and pry the A600 base with moderate force in the direction of the arrow until the latch is released. Repeat this operation on the opposite side to remove the alarm from the base.

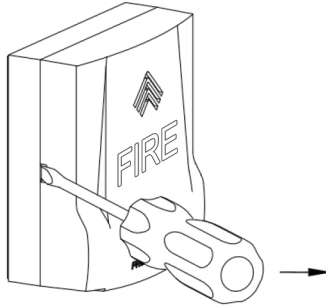


Figure 5: Remove

Ordering Information

M600AS: Intelligent Audible and Visual Alarm for Fire Alert.

M600AS/C*: Intelligent Audible and Visual Alarm for Fire Alert. (CLIP model for legacy system).

A600: Terminal Base for M600AS.

NOTE: "IC" is ordering suffix and will not show on product label.

