

# FSA-3A

## Fire Audible and Visual Alarm

### Description

FSA-3A fire audible and visual alarm is mainly used in fire alarm control system. The controller sends a command code to activate or reset the alarm. The alarm can transmit the normal state of the external power supply to the intelligent controller so that the controller can report the state of the external power supply. When the fire alarm control system sends out a start signal to the fire alarm, the fire alarm can send out the fire alarm sound and light signal, so as to achieve the purpose of warning the site personnel.

### Features

- One tone.
- 75dB(A) at 3m.
- Soft address<sup>1)</sup>.
- GB26851 compliance.
- Since the FSA-3A are intended for use in open areas it is possible for more than one device to be audible at any given point in a building. For this reason, the operation of all fire audible and visual alarms is needed to be synchronized by the control panel.

**NOTE:** 1) The device address can be set by the programmer or panel.

### Specifications

**Loop Voltage (Vmin-Vmax):** 17- 28V DC.

**Communication Protocol Voltage:** 5-9 V peak to peak.

**Loop Rated Voltage:** 24V DC.

**Loop Quiescent Current:** 0.3mA.

**Loop Alarm Current:** 1.8mA.

**24V DC Voltage (Vmin-Vmax):** 22 – 28V DC.

**24V DC Rated Voltage:** 24V DC.

**24V DC Quiescent Current:** 0.1mA.

**24V DC Alarm Current:** 20mA.

**Sounder Output:** 75dB (A)@3m.

**Type:** Indoor use only.

**Flashing Frequency:** 1.4Hz.



**Tone:** Single tone (Steady on).

**Operating Temperature:** 0°C ~ 55°C.

**Humidity:** 0% - 95%RH (non-condensing).

**Dimensions:** 90mm length × 86mm width × 37mm depth.

**Weight:** 109g.

**Housing Material:** White and red half-clear ABS.

**Standard:** GB26851-2011.

**Approval:** CCCF.

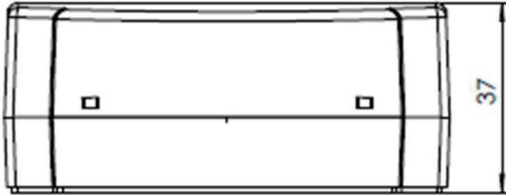
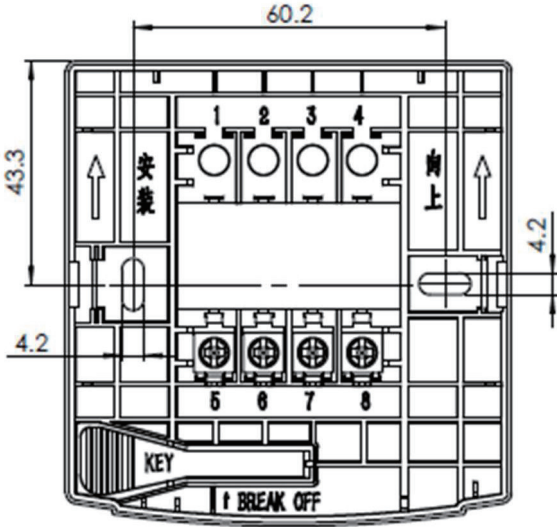
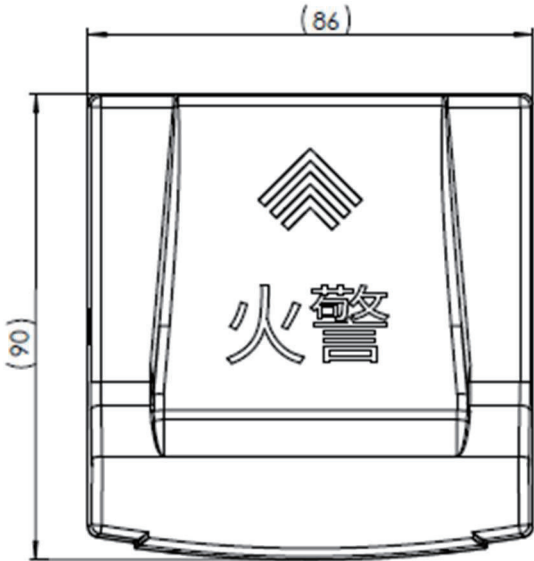
### Terminal

L2 and L1 terminals are polarity sensitive which are for connecting the loop wire.

24+ and 24- terminals are polarity sensitive which are for connecting the external 24V DC power supply.

- L1 is “Loop -”
- L2 is “Loop +”
- 24+ is for connecting the “24V DC+”
- 24- is for connecting the “24V DC-”

Dimensional Drawing



Mechanical Construction

The main components of the FSA-3A fire audible and visual alarm are molded in an ABS material.

*NOTE: This unit is not designed for outdoor use.*